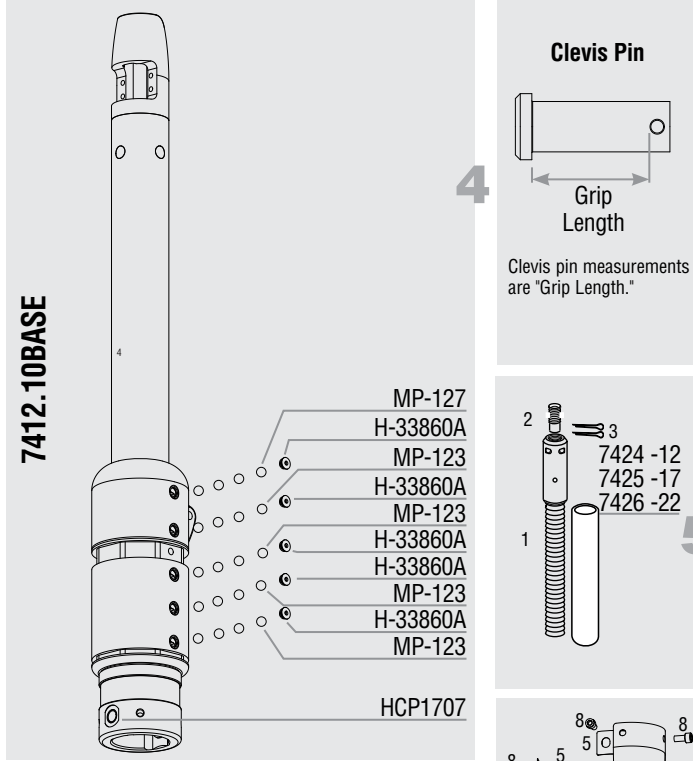
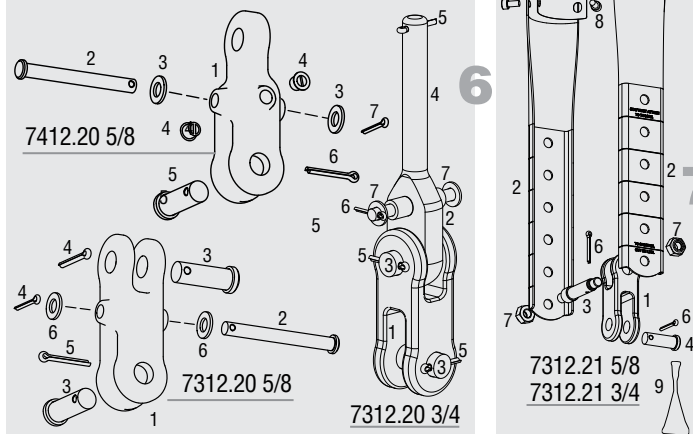


No.	Description	Order	Part No.
<b>1</b>	<b>Top Cover Assembly w/Screws</b>	<b>1</b>	<b>HFG689</b>
	Top Cover	2	H-35025D
	Top Cover Screw (M5 x .8 x 12MM)	2	HFS1060
<b>2</b>	<b>Bottom Flange Assembly w/Screws</b>	<b>1</b>	<b>HFG690</b>
	Flange	2	H-35465C
	Bottom Flange Screw (M5 x .8 x 12MM)	2	HFS1060
<b>3</b>	<b>Guard Assembly</b>	<b>1</b>	<b>HFG691</b>
	Guard Set	2	H-33758E
<b>4</b>	<b>Clamp with Screws</b>	<b>1</b>	<b>HFG697</b>
	Clamp	1	H-42346
<b>5</b>	<b>Hub Assembly</b>	<b>1</b>	<b>7412.10BASE</b>
	Ball Plugs	5	H-33860A
	Torlon® Ball Bearing	25	MP-127
	Delrin® Ball Bearing	100	MP-123
	IGUS® Crosspin Bushing	2	HCP1707

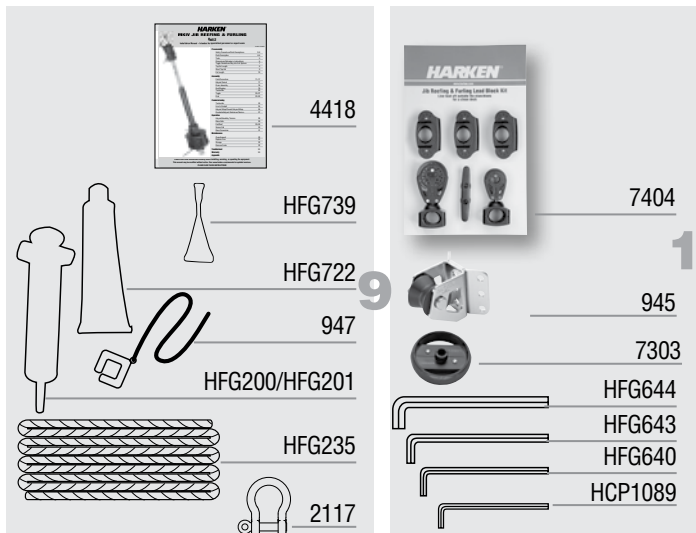
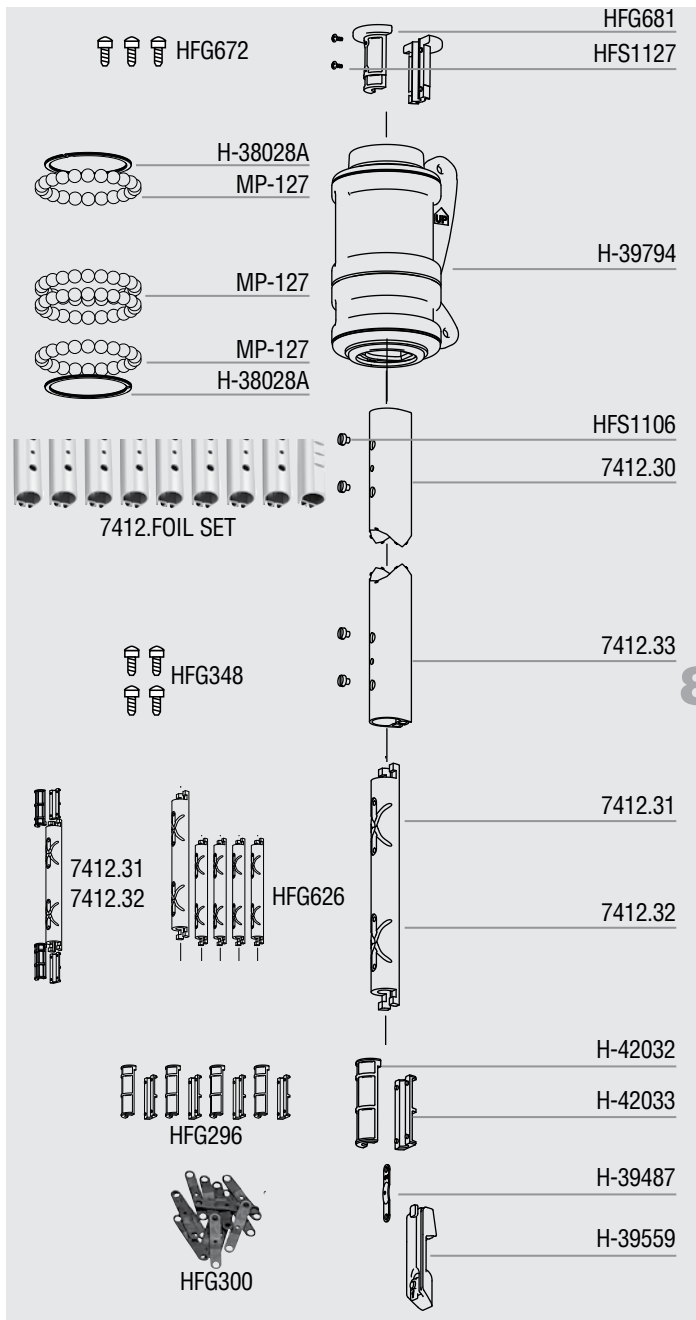


No.	Description	Order	Part No.
<b>5</b>	<b>Rod Adapter Stud w/Nosepiece (-12)</b>	<b>1</b>	<b>7424 -12</b>
	1 Stud (Main Body)	1	H-41531
	2 Nosepiece -12	1	H-41527
<b>6</b>	<b>Rod Adapter Stud w/Nosepiece (-17)</b>	<b>1</b>	<b>7425 -17</b>
	1 Stud (Main Body)	1	H-41531
	2 Nosepiece -17	1	H-41526
<b>7</b>	<b>Rod Adapter Stud w/Nosepiece (-22)</b>	<b>1</b>	<b>7426 -22</b>
	1 Stud (Main Body)	1	H-41812
	2 Nosepiece -22	1	H-41811
<b>8</b>	<b>Stud Adapter Stud w/Nosepiece (-22)</b>	<b>1</b>	<b>7426 -22</b>
	3 Cotter Pin (3/32" x 1" 18-8)	2	HFG193
	Stud Cap (7/8" ID x 5 1/2" RED)	1	HFG303



No.	Description	Order	Part No.
<b>6</b>	<b>Eye/Jaw Toggle Reversible</b>	<b>1</b>	<b>7412.20 5/8</b>
	1 Toggle	1	H-37647C
	2 Crosspin (7/16" x 39/32" 18-8)	1	H-42398
	3 Nylon Washer	2	HFS1005
	4 Cross Hole Plug	2	H-42045
	5 Clevis Pin (5/8" x 1 1/2" 18-8)	1	H-42397
	6 Cotter Pin (5/32" x 1 1/4" 18-8)	1	HFS203
<b>7</b>	<b>Jaw/Jaw Toggle</b>	<b>1</b>	<b>7312.20 5/8</b>
	1 Toggle	1	H-42316
	2 Crosspin (7/16" x 35/16" 18-8)	1	H-42398
	3 Clevis Pin (5/8" x 1 1/2" 18-8)	2	H-42397
	4 Cotter Pin (5/32" x 1 1/4" 18-8)	2	HFS203
	5 Cotter Pin (1/8" x 1" 18-8)	1	HFS220
	6 Nylon Washer	2	HFS1005
<b>8</b>	<b>Stud/Jaw Toggle</b>	<b>1</b>	<b>7312.20 3/4</b>
	1 Toggle	1	H-41489
	2 Crosspin (7/16" x 35/16" 18-8)	1	H-42398
	3 Clevis Pin (3/4" x 1 13/16" 18-8)	2	H-42403
	4 Stud	1	H-43210
	5 Cotter Pin (5/32" x 1 1/4" 18-8)	3	HFS203
	6 Cotter Pin (1/8" x 1" 18-8)	1	HFS220
7 Nylon Washer	2	HFS1005	

No.	Description	Order	Part No.	Part No.
<b>9</b>	<b>Long Link Plate w/Toggle</b>		<b>7312.21 5/8</b>	<b>7312.21 3/4</b>
	1 Toggle	1	H-41300	H-41489
	2 Strap	2	H-41304	H-41304
	3 Upper Clevis Pin (Custom)	1	H-41302	H-41525
	4 Lower Clevis Pin	1	H-42397	H-42403
	5 Isolator	2	H-41497	H-41497
	6 Cotter Pin (5/32" x 1 1/4" 18-8)	2	HFS203	HFS203
	7 Nylon Locking Nut (M12)	2	HFS937	HFS937
	8 Allen Cap Screws (M8x1.25x16 A4 SHCS)	4	HFS336	HFS336
9 Loctite® Blue	1	833	833	



8

Description	Order	Part No.
<b>Trim Cap Set w/o Screws</b>	<b>1</b>	<b>HFG681</b>
<b>Trim Cap Screw Set</b>	<b>1</b>	<b>HFG672</b>
Trim Cap Screw	3	HFS1127
<b>Halyard Swivel w/o Shackles</b>	<b>1</b>	<b>H-39794</b>
Torlon® Ball Bearings	92	MP-127
Clip/Smalley Ring	2	H-38028A
<b>Foil Set</b>	<b>1</b>	<b>7412.FOIL SET</b>
Foil (7' / 2.13 m) Luff	8	7412.30
Foil (2' / 610 mm) Bottom	1	7412.33
<b>Foil Screw Set</b>	<b>1</b>	<b>HFG348</b>
Foil Screw	38	HFS1106
<b>Connector Set w/o Bushings</b>	<b>1</b>	<b>HFG626</b>
Connector (9" / 229 mm)	7	—
Connector Bottom (13" / 330 mm)	1	—
<b>Connector Bushing Set</b>	<b>1</b>	<b>HFG296</b>
Connector Bushing (Curved / Longer)	16	H-42032
Connector Bushing (Flat / Shorter)	16	H-42033
<b>Connector w/Bushings, Foil Screws, and Wedges</b>	<b>1</b>	<b>7412.31</b>
Connector (9" / 229 mm)	1	—
Connector Bushing (Curved / Longer)	2	—
Connector Bushing (Flat / Shorter)	2	—
Foil Screw	4	—
Connector Wedge	2	—
<b>Connector w/Bushings Bottom</b>	<b>1</b>	<b>7412.32</b>
Connector Bottom (13" / 330 mm)	1	—
Connector Bushing (Curved / Longer)	2	—
Connector Bushing (Flat / Shorter)	2	—
<b>Connector Wedge Set</b>	<b>1</b>	<b>HFG300</b>
Connector Wedge	18	H-39487
<b>Feeder Set</b>	<b>1</b>	<b>H-39559</b>
Feeder	1	H-33931B
Feeder Screw	1	HFS1129
Tab	1	H-35671A

8

9

Description	Order	Part No.
<b>Instruction Manual</b>	<b>1</b>	<b>4418</b>
<b>Prefeeder</b>	<b>1</b>	<b>947</b>
<b>Loctite® Red</b>	<b>2</b>	<b>HFG739</b>
<b>5200 Adhesive Set</b>	<b>1</b>	<b>HFG725</b>
5200 Marine Adhesive Sealant	1	HFG722
Injector	1	HFG200 HFG201
<b>8mm Double Braid Polyester (100', 30.5 m)</b>	<b>1</b>	<b>HFG235</b>
<b>Bow Shackle (8 mm)</b>	<b>3</b>	<b>2117</b>

10

Description	Order	Part No.
<b>Lead Block Kit (Optional)</b>	<b>1</b>	<b>7404</b>
29 mm Outboard Lead Assembly	3	7403
57 mm Carbo Ratchet Assembly	1	7402
40 mm Carbo Assembly	1	7401
Horn Cleat	1	HCP168
<b>Halyard Restrainer (Optional)</b>	<b>1</b>	<b>945</b>
Sheave/SS Inner Race Only	1	945ASSY
Clevis Pin (5/16" x 1 1/4" 18-8)	1	SP-038
Bracket-Large	1	HCP394
Cotter Pin (3/32" x 3/4" 18-8)	1	HFS181
<b>Halyard Deflector</b>	<b>1</b>	<b>7303</b>
<b>Hex Keys</b>		
6 mm	1	HFG644
5 mm	1	HFG643
4 mm	1	HFG640
3 mm	1	HCP1089

10